

**Errata**  
**ANSI Z223.1**  
**National Fuel Gas Code ®**  
**2015 Edition**

**Reference: Figure F.1(a)**  
**Errata Z223.1-2015-2**

**Issue Date: 8/07/17**

*National Fuel Gas Code user:*

The American Gas Association (AGA) notes the following errors in the 2015 edition of ANSI Z223.1, *National Fuel Gas Code*. The first printing of the code by AGA contains these errors. AGA's later code printings are revised to include these corrections. To determine if you have a later printing, look for "Second (or later) Printing" located on the inside front cover of the code. AGA and NFPA separately print the code. Please visit the NFPA website at [www.nfpa.org](http://www.nfpa.org) for any issued errata on NFPA 54.

*Notes on using the errata:*

Each erratum is numbered which includes the impacted section, table, or figure designation, along with the page number where it would appear in the published code. Underscored material denotes those items or wording that are to be added and strike through material denotes those items or wording that are to be deleted. Shading is provided where necessary to identify hard-to-see revisions. AGA provides the attached replacement code pages that can be inserted into the printed code. The replacement pdf files can be downloaded from [www.aga.org/nfgc](http://www.aga.org/nfgc).

*Additional Information:*

For additional information on the errata, the code or National Fuel Gas Code Committee, please contact Mr. Paul Cabot, AGA, 202.824.7312, [pcabot@aga.org](mailto:pcabot@aga.org). Also visit AGA's National Fuel Gas Code webpages at [www.aga.org/nfgc](http://www.aga.org/nfgc) for additional code information.



Copyright © 2017 by American Gas Association - All Rights Reserved

See reverse for Notice and Disclaimer of Liability Concerning the Use of AGA Documents.

### **Notice and Disclaimer of Liability Concerning the Use of AGA Documents**

Z223.1 documents are developed through a consensus standards development process approved by the American National Standards Institute. This process brings together volunteers representing varied viewpoints and interests to achieve consensus on fire and other safety issues. While the AGA administers the process and establish rules to promote fairness in the development of consensus, they do not independently test, evaluate, or verify the accuracy of any information or the soundness of any judgments contained in their codes and standards.

The AGA disclaim liability for any personal injury, property or other damages of any nature whatsoever, whether special, indirect, consequential or compensatory, directly or indirectly resulting from the publication, use of, or reliance on this document. The AGA also make no guaranty or warranty as to the accuracy or completeness of any information published herein.

In issuing and making this document available, the AGA are not undertaking to render professional or other services for or on behalf of any person or entity. Nor is the AGA undertaking to perform any duty owed by any person or entity to someone else. Anyone using this document should rely on his or her own independent judgment or, as appropriate, seek the advice of a competent professional in determining the exercise of reasonable care in any given circumstances.

The AGA have no power, nor do they undertake, to police or enforce compliance with the contents of this document. Nor does the AGA list, certify, test, or inspect products, designs, or installations for compliance with this document. Any certification or other statement of compliance with the requirements of this document shall not be attributable to the AGA and is solely the responsibility of the certifier or maker of the statement.

**Errata Z223.1-2015-2  
AGA Printed Version**

NOTE: The following errata apply to the American Gas Association's second printing of ANSI Z223.1-2015.

**Errata Z223.1-2015-2 Figure F.1(a), Page 162:**

**Figure F.1(a).  
Type B Double-Wall Vent System Serving a Single  
Appliance with a Type B Double-Wall Vent.**

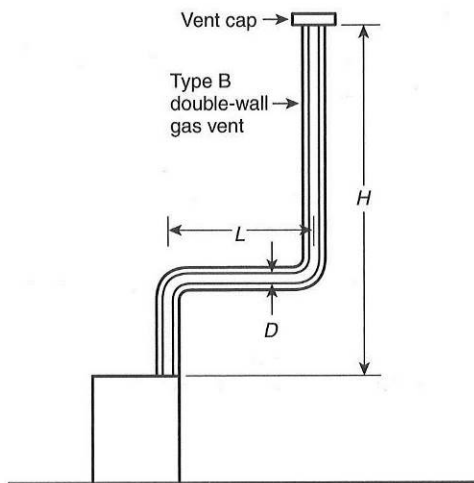


Table 13.1(a) is used when sizing Type B double-wall gas vent connected directly to the appliance.

Note: the appliance can be either Category I draft hood-equipped or fan-assisted type.



**Table E.4 Equivalent Orifice Sizes at High Altitudes**  
 (includes 4% input reduction for each 1,000 ft above sea level) (Continued)

Orifice Size at Sea Level	Orifice Size Required at Other Elevations (ft)								
	2,000	3,000	4,000	5,000	6,000	7,000	8,000	9,000	10,000
41	42	42	42	43	43	44	44	45	46
42	42	43	43	43	44	44	45	46	47
43	44	44	44	45	45	46	47	47	48
44	45	45	45	46	47	47	48	48	49
45	46	47	47	47	48	48	49	49	50
46	47	47	47	48	48	49	49	50	50
47	48	48	49	49	49	50	50	51	51
48	49	49	49	50	50	50	51	51	52
49	50	50	50	51	51	51	52	52	52
50	51	51	51	51	52	52	52	53	53
51	51	52	52	52	52	53	53	53	54
52	52	53	53	53	53	53	54	54	54
53	54	54	54	54	54	54	55	55	55
54	54	55	55	55	55	55	56	56	56
55	55	55	55	56	56	56	56	56	57
56	56	56	57	57	57	58	59	59	60
57	58	59	59	60	60	61	62	63	63
58	59	60	60	61	62	62	63	63	64
59	60	61	61	62	62	63	64	64	65
60	61	61	62	63	63	64	64	65	65
61	62	62	63	63	64	65	65	66	66
62	63	63	64	64	65	65	66	66	67
63	64	64	65	65	65	66	66	67	68
64	65	65	65	66	66	66	67	67	68
65	65	66	66	66	67	67	68	68	69
66	67	67	68	68	68	69	69	69	70
67	68	68	68	69	69	69	70	70	70
68	68	69	69	69	70	70	70	71	71
69	70	70	70	70	71	71	71	72	72
70	70	71	71	71	71	72	72	73	73
71	72	72	72	73	73	73	74	74	74
72	73	73	73	73	74	74	74	74	75
73	73	74	74	74	74	75	75	75	76
74	74	75	75	75	75	76	76	76	76
75	75	76	76	76	76	77	77	77	77
76	76	76	77	77	77	77	77	77	77
77	77	77	77	78	78	78	78	78	78
78	78	78	78	79	79	79	79	80	80
79	79	80	80	80	80	.013	.012	.012	.012
80	80	.013	.013	.013	.012	.012	.012	.012	.011

For SI units: 1 ft = 0.305 m

**Annex F**  
**Sizing of Venting Systems Serving Appliances Equipped with Draft Hoods, Category I Appliances, and Appliances Listed for Use with Type B Vents**

*This annex is not a part of the requirements of this code but is included for informational purposes only.*

**Figure F.1(a).**  
**Type B Double-Wall Vent System Serving a Single Appliance with a Type B Double-Wall Vent.**

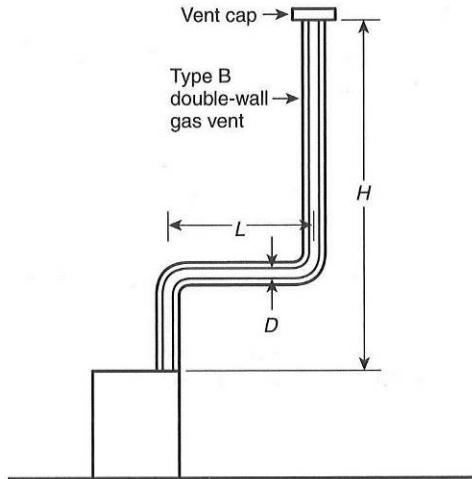


Table 13.1(a) is used when sizing Type B double-wall gas vent connected directly to the appliance.

Note: the appliance can be either Category I draft hood-equipped or fan-assisted type.

**Figure F.1(b).**  
**Type B Double-Wall Vent System Serving a Single Appliance with a Single-Wall Metal Vent Connector.**

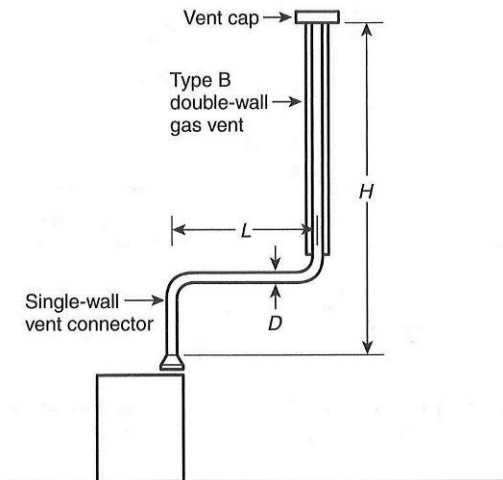


Table 13.1(b) is used when sizing a single-wall metal vent connector attached to a Type B double-wall gas vent.

Note: The appliance can be either Category I draft hood-equipped or fan-assisted.

**Figure F.1(c).**  
**Vent System Serving a Single Appliance with a Masonry Chimney and a Type B Double-Wall Vent Connector.**

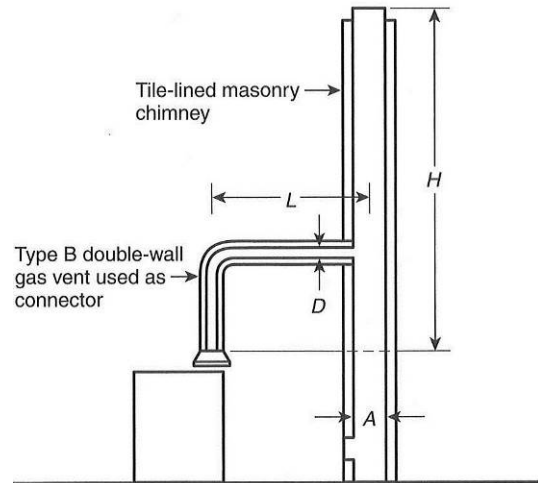


Table 13.1(c) is used when sizing a Type B double-wall vent connector attached to a tile-lined masonry chimney.

Notes:

1. A is the equivalent cross-sectional area of the tile liner.
2. The appliance can be either Category I draft hood-equipped or fan-assisted type.

**Figure F.1(d).**  
**Vent System Serving a Single Appliance Using a Masonry Chimney and a Single-Wall Metal Vent Connector.**

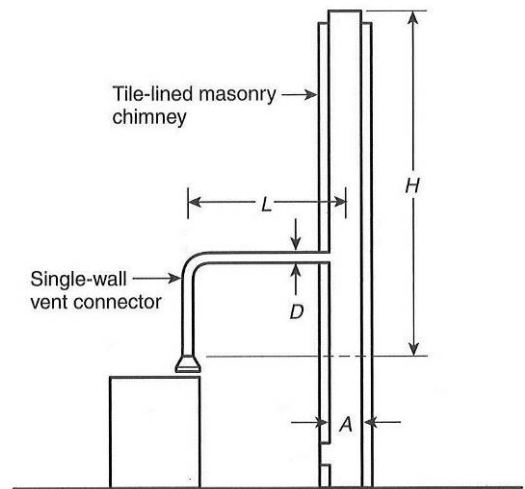


Table 13.1(d) is used when sizing a single-wall vent connector attached to a tile-lined masonry chimney.

Notes:

1. A is the equivalent cross-sectional area of the tile liner.
2. The appliance can be either Category I draft hood-equipped or fan-assisted type.